

FASTBLANK[®]

BLANK PREDICTION SOFTWARE

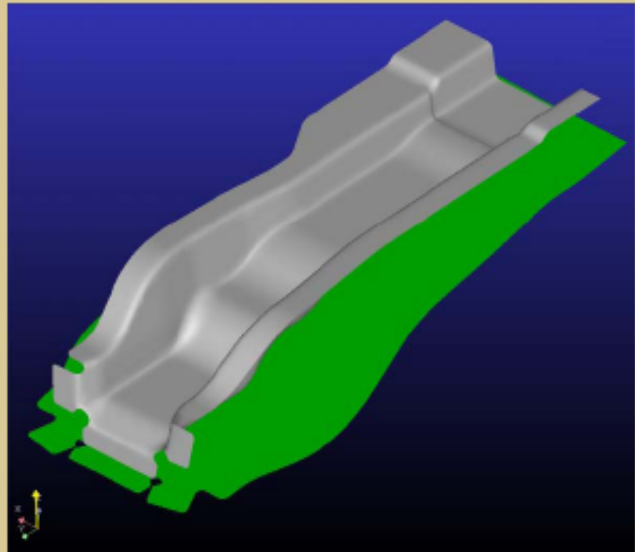
A FORMINGSUITE[®] MODULE

Substantially improves formability and product quality

Reduces material costs and number of trials in the prove out stage

Accurately identifies material thinning and gathering conditions

Automatically generates a report for accurate quoting and estimating



Fast and Accurate Blank Shape Development

FASTBLANK CALCULATES INITIAL BLANK SHAPES FOR DIE DESIGN AND COST ESTIMATING IN MINUTES



테마엔지니어링(주)

TEL: 02-839-5804

URL: www.theme-eng.co.kr